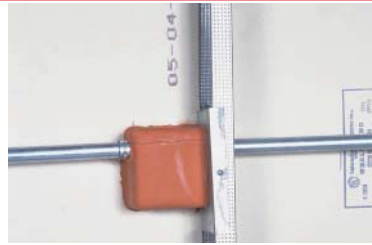


**New Products in Stock**



**Metacaulk 1000  
Intumescent Caulk**  
66302 10.3oz tube  
66303 30oz tube  
66309 5 Gal Pails



**Putty Pads**  
66335 7" by 7" by 1/8"



**Pillows**  
66362 2"x9"x6"  
66363 3"x9"x6"



**Pipe Collars**  
66352 1-1/2"  
66353 2"  
66350 3"  
66351 4"



**MC150+ Sealants**  
66382 10.3oz tube  
66383 30oz tube



**Composite Sheets**  
66320 36"x36"



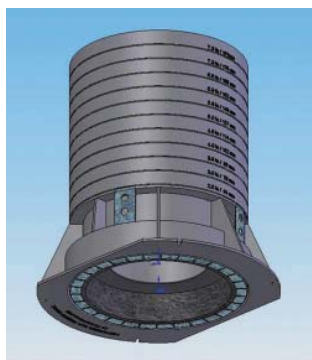
**Cover Guards**  
66276 Single Switch  
66274 Double Switch  
66272 Single Receptacle  
66270 Double Receptacle



**Joint Strips**  
66700  
1/16"x1"



**Wrap Strips**  
66136  
2" by 1/4"



**Metacaulk® Cast-In-Place Devices**

66591	2.5" Cast-In-Place Device
66590	4" Cast-In-Place Device
66592	6" Cast-In-Place Device
66593	Oval Cast-In-Place Device
66594	Deck Adapter Kit 2.5"
66595	Deck Adapter Kit 4"
66596	Deck Adapter Kit 6"
66597	Deck Adapter Kit Oval

**www.metacaulk.com**

Contains:

- ◇ System Selector
- ◇ Technical Data
- ◇ Volume Calculations
- ◇ MSDS Sheets
- ◇ UL System Info
- ◇ LEED Building System
- ◇ UL Accel. Aging Info